

GO-06-19-28-AC-ECP
GO-06-19-50-AC-ST
GO-06-19-50-AC-STB
GO-10-19-28-AC-ECP
GO-10-19-50-AC-ST



*Resistance
Confidence
Application anywhere*

FIT LINE POLE OUTDOOR ENCLOSURE



- 100% galvanized structure
- Compact
- Equipment protection

MATERIAL

Minimized AISI -1020 galvanized steel.

SURFACE

Electrostatic painting epoxy powder.

Resistance to corrosion, stains and chemicals.

Supports high and low temperatures, UV rays and humidity.

Impact resistance.

Galvanized rails.

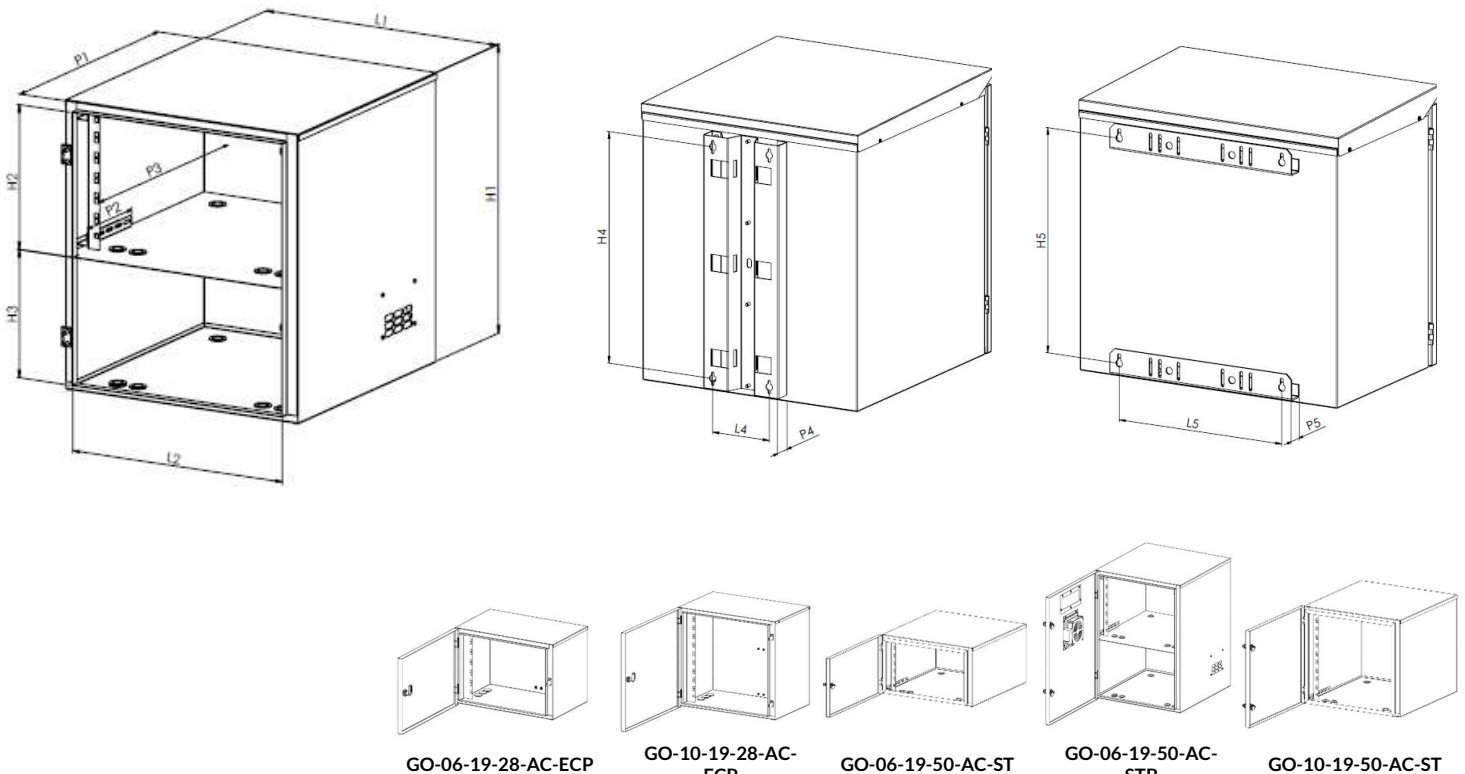
SCOPE OF SUPPLY

Designed according to IEC 6297-3-100 dimensions and mechanical structure of series 482.6 mm (19 ").

Outdoor product with automotive system seal on your door.

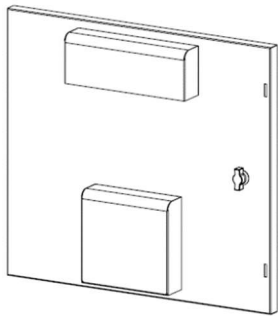
It has models with and without battery compartment.

The product has versatile fixation and can be installed on pole with the use of steel tape-type clamps (not included), or also screwed onto flat surfaces such as walls

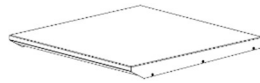


	GO-06-19-28-AC-ECP	GO-10-19-28-AC-ECP	GO-06-19-50-AC-ST	GO-06-19-50-AC-STB	GO-10-19-50-AC-ST
Fixation	Poles	Poles	Poles	Poles/Wall	Poles
Height (H1)	323mm	503mm	335mm	635mm	515mm
Depth (P1)	340mm	340mm	590mm	590mm	590mm
Width (L1)	555mm	555mm	570mm	570mm	570mm
Useful height of equipment compartment (H2)	320mm	500mm	330mm	335mm	510mm
Useful height of the battery compartment (H3)	-	-	-	295mm	-
Rail adjustment depth (P2)	Fixed	Fixed	175mm	175mm	175mm
Internal depth (P3)	260mm	260mm	545mm	545mm	545mm
Useful door width (L2)	490mm	490mm	510mm	510mm	510mm
Distance between vertical holes (H4)	-	-	-	550mm	-
Distance between horizontal holes (L4)	-	-	-	150mm	-
Mounting hardware depth (P4)	-	-	-	45mm	-
Distance between vertical holes (H5)	260mm	435mm	265mm	-	445mm
Distance between horizontal holes (L5)	350mm	350mm	350mm	-	350mm
Mounting hardware depth (P5)	30mm	30mm	30mm	-	30mm
Ventilation	Optional	Optional	Optional	Yes	Optional
Internal volume	60L	94L	112L	194L	175L
Mass of the outdoor enclosures	12Kg	14kg	21kg	35kg	25kg
Mass with cardboard packaging	13kg	15kg	25kg	37,5kg	29,5kg
Mass with wood packaging	17,5kg	20kg	28,5kg	44kg	33kg
Packing sizes - cardboard (AxPxL)	0,41x0,45x0,60m	0,60x0,45x0,60m	0,42x0,63x0,71m	0,72x0,63x0,71m	0,60x0,63x0,71m
Packing sizes - wood (AxPxL)	0,55x0,48x0,68m	0,71x0,48x0,68m	0,53x0,72x0,70m	0,85x0,68x0,70m	0,72x0,72x0,70m

OPTIONALS



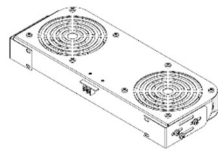
Venting system.*



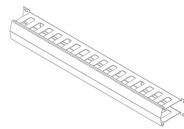
Top cover.



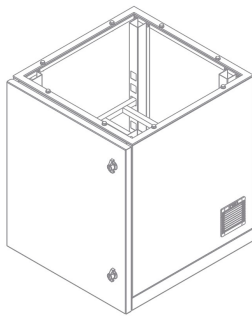
Tray.



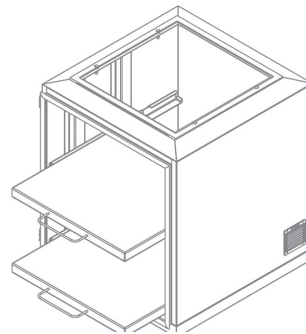
Forced Ventilation.**



Cable organizer.**



Standard, Battery Compartment***
GB-61-55-55-AC



Heavy, Battery Compartment***
GB-82-70-74-AC

* Only models: GO-06-19-28-AC-ECP, GO-10-19-28-AC-ECP, GO-06-19-50-AC-ST, GO-10-19-50-AC-ST.

** Recommended only for models: GO-06-19-50-AC-STB, GO-06-19-50-AC-ST, GO-10-19-50-AC-ST.

*** Recommended only for models: GO-06-19-50-AC-ST, GO-10-19-50-AC-ST, GO-06-19-50-AC-STB.



+55 54 3201.1903 | algcom@algcom.com.br

Caxias do Sul - RS | Brasil | www.algcom.com.br

