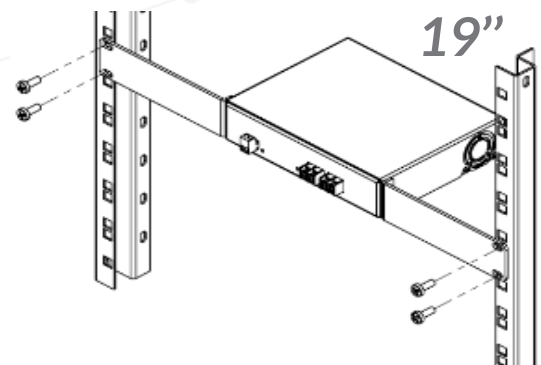


## FC Line

### Isolated DC/DC Converter

±48V to 12V/10A

±48V to 24V/5A



# ISOLATED DC/DC CONVERTER

- Compact and easy to install
- Galvanic isolation between input and output
- Equipment protection

1U

**ALG**  
com

# APPLICATION

The FC Line Isolated DC/DC Converter was designed to power 12V or 24V equipment from -48V or +48V DC power supply, ensuring excellent performance and preventing your equipment from possible problems in the field.

# COMPACT AND EASY TO INSTALL

The FC Line Isolated DC/DC Converter was thought to meet 1U Design standards. Taking up little space, with possibility of installation in vertical and horizontal, the FC Line Isolated DC/DC Converter is performance and efficiency guarantee in telecom.

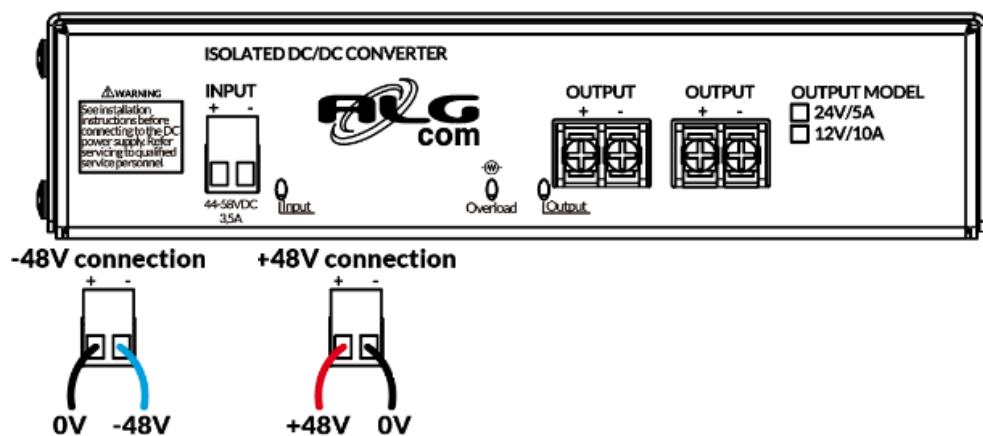
# TECHNICAL CHARACTERISTICS

The Isolated DC/DC Converter power input has a filter for protection against electromagnetic interference, an internal fuse for overload protection, reverse polarity protection of the power connection, and under voltage protection. It also has a smooth starting circuit resulting in a low starting current. It can be powered at -48V or +48V depending on need and application. The table below shows the maximum and minimum values for input current and voltage.

## INPUT PARAMETERS

Model	Input Voltage		Input Current	
	Minimum	Maximum	Minimum	Maximum
12V/10A	44V	58V	0,1A	3,5A
24V/5A				

The figure illustrates the +48V and -48V connections:



The output of the DC/DC Converter has galvanic isolation from the input, fully electrically isolated. The output connectors can be selected according to the converter model, 12V or 24V. The inverter has overload protection by switching on an indicator LED if the output current value exceeds the maximum value, and also, has short circuit protection at the output. The following table shows the maximum and minimum values for output current and voltage.

## OUTPUT PARAMETERS

	Output Voltage	Output Current
Model	Nominal	Maximum
12V/10A	12V	10A
24V/5A	24V	5A

Because it is an Isolated DC/DC Converter, it is worth measuring the following electrical characteristics: Dielectric strength and electrical isolation, as shown in the following tables.

## DIELECTRIC STRENGTH

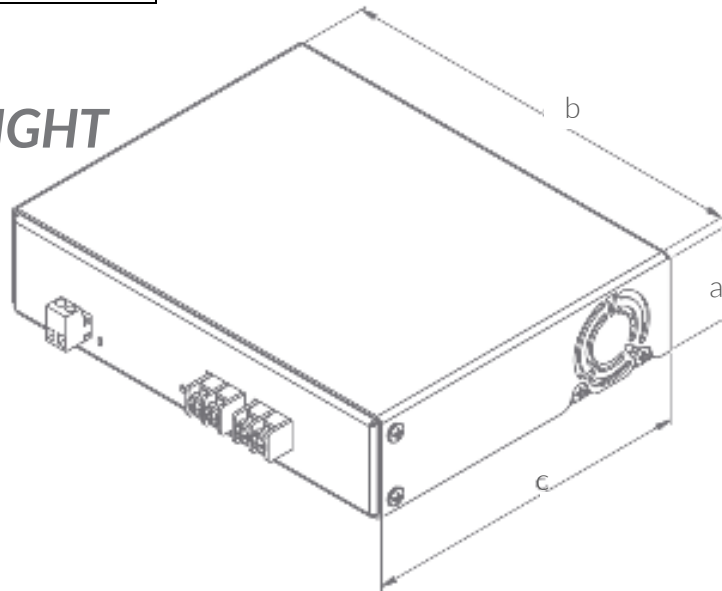
Model			
12V/10A	Input to Output	3000Vac	During 60s
24V/5A			

## ELECTRIC ISOLATION

Model			
12V/10A	Input to output	>5Mohm	Test with 500Vac
24V/5A			

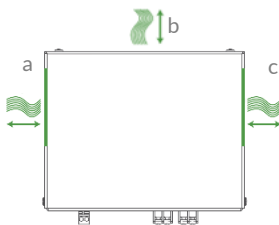
## DIMENSIONS AND WEIGHT

a Height	45 mm
b Width	185 mm
c Depth	148 mm
Weight	1.24 kg



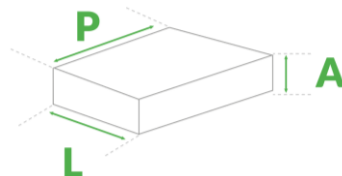
## FREE DISTANCE FOR VENTILATION

a	30 mm
b	30 mm
c	30 mm



## PACKING

Material	Cardboard
Height (A)	71 mm
Width (L)	248 mm
Depth (P)	222 mm
Weight	1.8 kg



# ATTENTION TO THE WARRANTY!



**Installation and maintenance** should be performed by trained and authorized personnel to minimize hazards to oneself and others.



It is installer's responsibility to **comply with regulations** applied to the installation, as well as follow the instructions of this guide.



Use only **components and fixing elements provided by ALGcom**.



Perform at least one **annual installation inspection** to verify the equipment conditions.



## DO YOU USE BATTERY BANK?

Try the ALGcom Outdoor Cabinets with a reserved space for batteries.



+55 54 3201.1903 | [algcom@algcom.com.br](mailto:algcom@algcom.com.br)

Caxias do Sul - RS | Brasil | [www.algcom.com.br](http://www.algcom.com.br)

